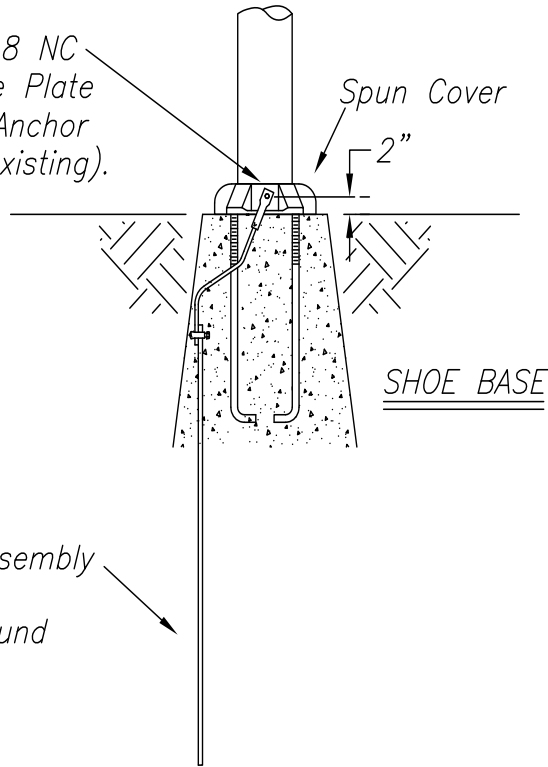
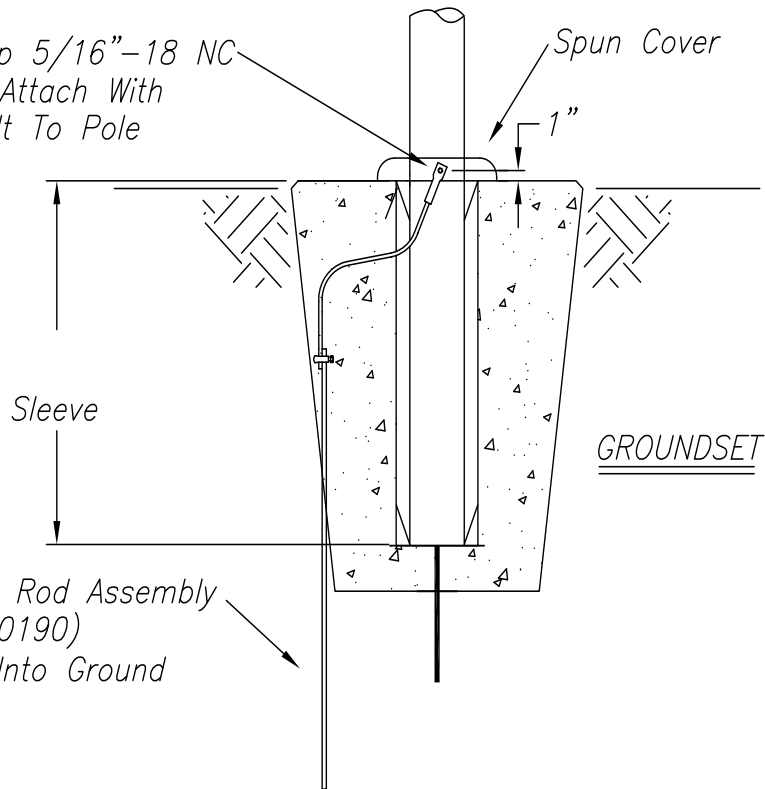


Drill & Tap 5/16"-18 NC Hole On Side of Base Plate Or Wire Directly To Anchor Bolts and Rebar(if existing).



Lightning Rod Assembly (90190) Driven Into Ground

Drill & Tap 5/16"-18 NC Hole and Attach With 5/16" Bolt To Pole



Lightning Rod Assembly (90190) Driven Into Ground