



## FOR QUICK AND PROFESSIONAL INSTALLATIONS READ ALL INSTRUCTIONS BEFORE PROCEEDING

Lay out all flagpole components. If a part is missing from the attached parts diagram, please contact your American Flagpole Dealer for replacement.

**STEP 1** - Remove all wrapping materials and place unwrapped flagpole on cribbing or other wood support on ground (preferably in a covered dry area). For **MULTI-SECTION** flagpoles, carefully lay sections out in proper order, grouping flagpole sections with like match marks. Sections **MUST BE STRAIGHT & LEVEL** while sliding together. Line up match mark numbers, imprinted at each section, for proper fit. Lightly sand away any burrs that may be present on the male section or in the upper section of the joint. A small amount of lubrication (*silicone or dish washing liquid – by others*) may be applied to the male portion of the joint for easier fitting. Start with the bottom sections and work toward the top. Begin sliding the two sections, rolling the flagpole by 180° with every 2 to 3 inches to facilitate an easier fit. If extreme difficulty is found in fitting the first 6 inches together, pull back apart and cool the male section with ice for several minutes. A sledgehammer and block of wood (*to protect the flagpole from direct impact*) may be necessary on larger poles to complete the assembly of joints. American Flagpole suggests the use of an epoxy adhesive for flagpoles 60' and greater.

**STEP 2** - Identify parts and place them along the flagpole according to the parts diagram.

**STEP 3** - Locate desired mounting location. Using Vertical Wall Mount Bracket(s) as a template, level and mark mounting hole locations on wall surface. Recommended center-to-center minimum wall bracket spacing for two-piece WA-1, WA-3, and WA-9 wall brackets equals 10% of total flagpole height. Example: Minimum 30' Vertical Wall Mount flagpole wall bracket spacing equals 3'.

**STEP 4** - Mount Vertical Wall Mount Bracket(s) to wall (*hardware by others*). American Flagpole recommends #94210 Wall Anchorage Kit. Each kit contains one ¾"-10NC x 18" stainless steel through bolt, ¾" stainless steel nuts, spring lock washers, flat lock washers, and 1-1/4" x 14 Schedule 10 aluminum pipe. Vertical Wall Mount Brackets WA-2 and WA-8 require 3 kits, Brackets WA-1 and WA-3 require 4 kits, and Bracket WA-9 requires 8 kits.



94210 Wall Anchorage Kit

**STEP 5** - With bracket(s) mounted, install the finial ball (*PART A*) by screwing the ball's spindle into truck (*PART B*). **Do not grip ball to tighten, grip spindle/rod with vise grips and tighten.** Tighten all nuts and set screws. An epoxy or Loc-tite type product (*by others*) is recommended on all connections.

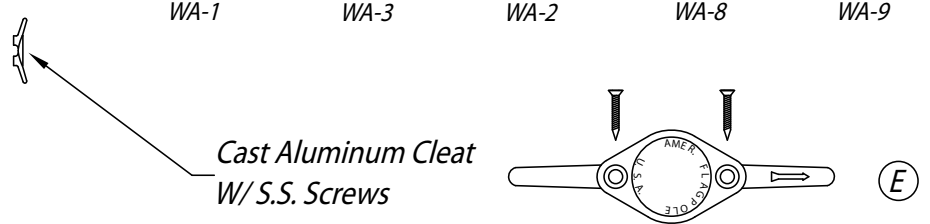
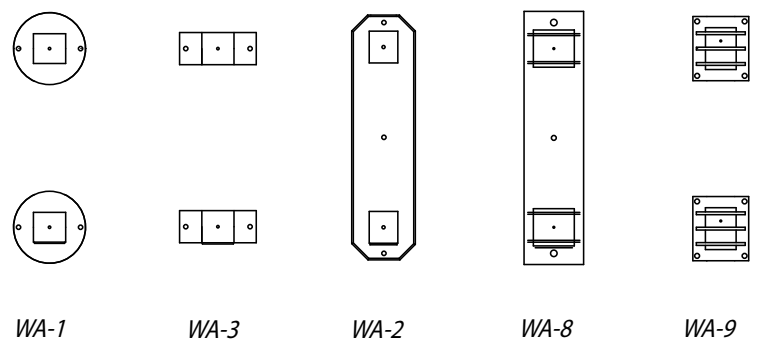
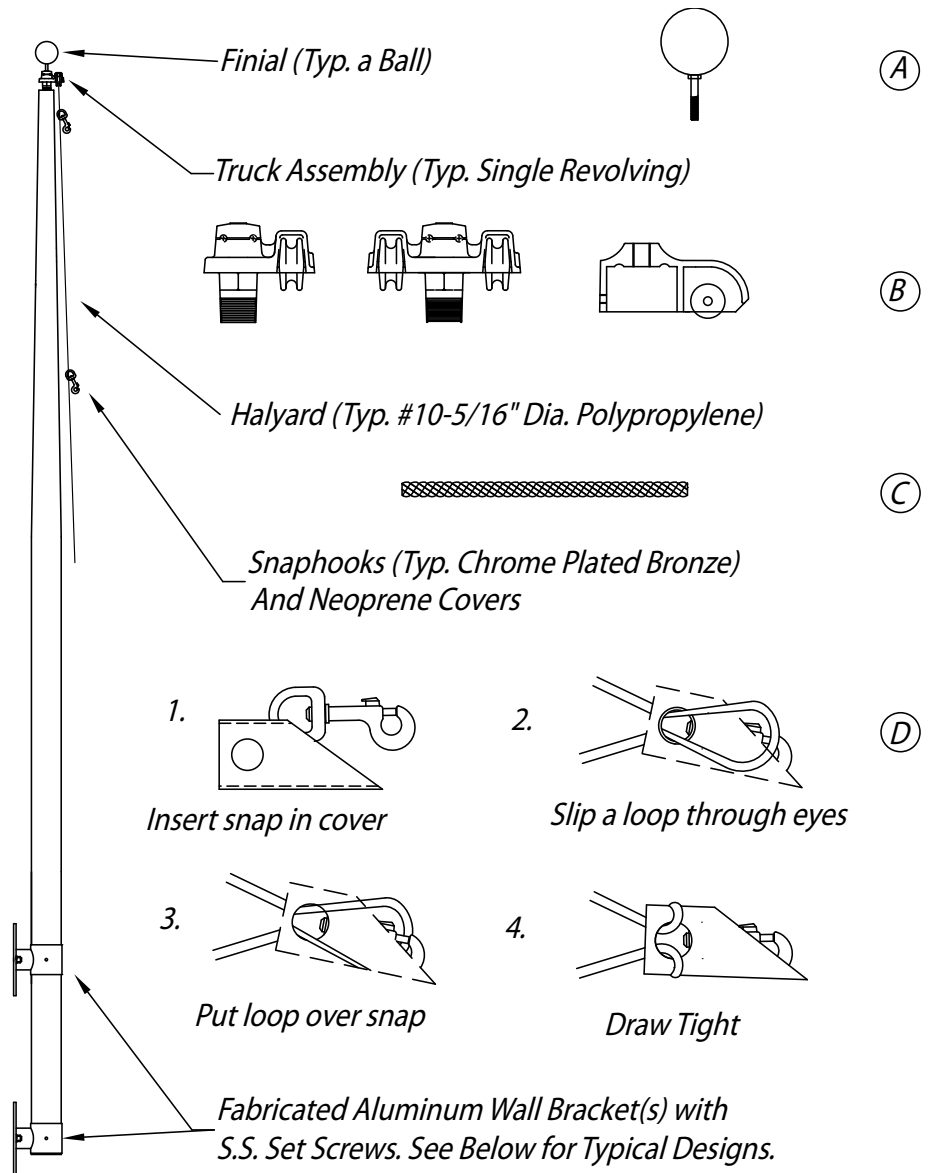
**STEP 6** - Attach the truck (*PART B*) with ball by screwing into the threaded top of the flagpole. **Do not epoxy spindle of truck.** If truck (*PART B*) is a stationary truck, be sure to secure all set screws.

**STEP 7** - Feed the polypropylene rope (*PART C*), around the pulley of the truck (*PART B*) and down the side of the flagpole to the cleat area. Tie both ends together forming a complete loop. Space the snap hooks and neoprene covers (*PART D*) at equal distance on either side of the knot to accommodate flag size. Refer to parts diagram for snap hook attachment.

**STEP 8** - Stand flagpole into previously installed Vertical Wall Mount Brackets. This may require the use of a crane or backhoe for larger flagpoles. Always choke multiple section flagpoles below lowest joint as a safety precaution. **Caution:** During installation, the flagpole should be assembled as close as possible to the final support point. Professionals experienced in such installations should perform rigging and lifting. During lift, keep clear of the area and reach of the flagpole path. Do not pass flagpole overhead. When installing multi-piece flagpoles, arrange the rigging for the lift in such a way that weight of the flagpole sections is supported from the bottom of the flagpoles so that the flagpole joints are pushed together, not pulled apart, during the lift. Keep clear of power lines.

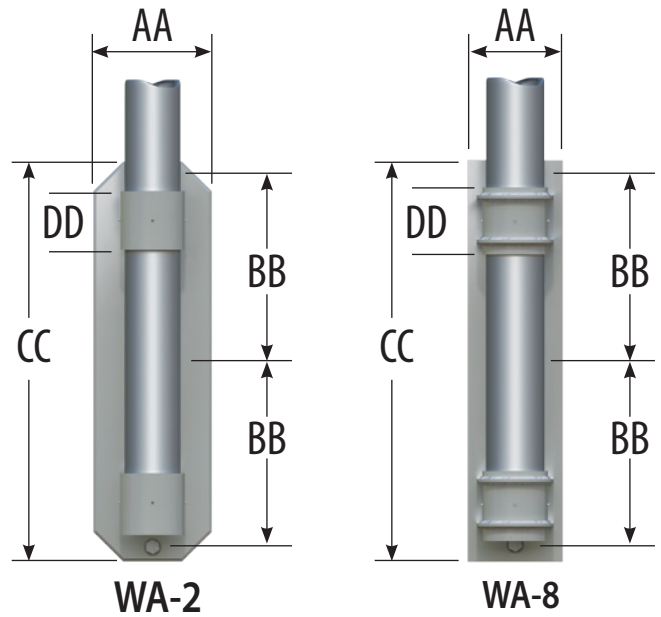
**STEP 9** - Secure flagpole using socket type cup point stainless steel set screws.

**STEP 10** - Fasten cleat(s) (PART E) into desired position using the self-drilling screws provided. Note: Cleat is normally installed to wall surface. Use cleat as template for installation. A pilot hole or drilling oil may be used to facilitate installation.



**WA-2, WA-8 BRACKET INSTALLATION**

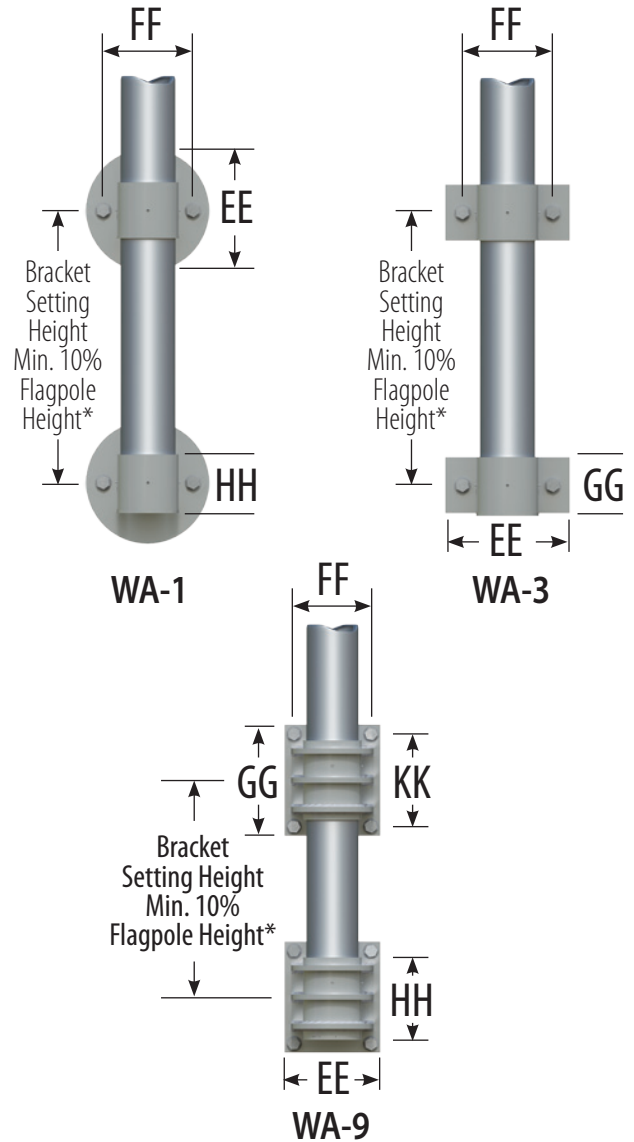
BRACKET	FLAGPOLE DIAMETER	AA BRACKET WIDTH	BB BOLT PATTERN SPACING	CC BRACKET HEIGHT	DD SLEEVE HEIGHT
<b>WA-2</b>	3"	10"	12.75"	2'-4"	4.125"
	4"	10"	15.75"	2'-10"	5"
	5"	10"	1'-6.75"	3'-4"	6"
	6" (30 ft.)	12"	1'-9.75"	3'-10"	6"
	6" (35 ft.)	12"	2'-.75"	4'-4"	6"
<b>WA-8</b>	3"	8"	12.25"	2'-3.5"	5"
	4"	8"	15.5"	2'-10"	5"
	5"	8"	1'-6.75"	3'-4.5"	5"
	6" (30 ft.)	8"	1'-10"	3'-11"	5"
	6" (35 ft.)	8"	2'-1"	4'-5"	6"



All Vertical Wall Brackets designed with multiple Stainless Steel set screws to eliminate flagpole rotation in sleeve.

**WA-1, WA-3, WA-9 BRACKET INSTALLATION**

BRACKET	FLAGPOLE DIAMETER	EE Bracket Width	FF Bolt Pattern Width	GG Bracket Height	HH Sleeve Height	KK Bolt Pattern Height
<b>WA-1</b>	3"	10.75" Dia.	8.5"	-	4"	-
	4"	11.5" Dia.	9.5"	-	5"	-
	5"	12.5" Dia.	10.5"	-	6"	-
	6"	14.5" Dia.	12.5"	-	6"	-
<b>WA-3</b>	3"	9.5"	6.5"	5"	-	-
	4"	11"	8"	5"	-	-
	5"	14"	10.5"	5"	-	-
	6"	15.5"	12.5"	6"	-	-
<b>WA-9</b>	3"	8"	6.25"	10.5"	7.5"	8.75"
	4"	9"	7.25"	10.5"	7.5"	8.75"
	5"	10"	8.25"	11.5"	7.5"	9.75"
	6"	10"	8.5"	11.5"	7.5"	9.75"



\*WA-1, WA-3, WA-9 Wall Mounting Bracket setting height is a minimum of 10% of the flagpole height.