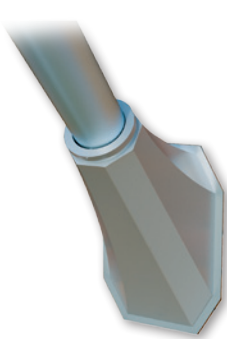
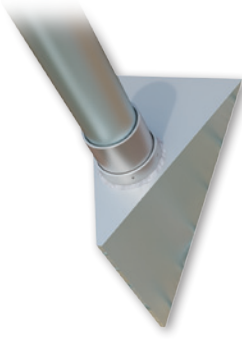




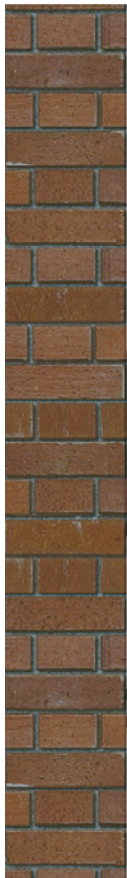
External Halyard Single Stationery Truck



Outrigger - 0104



Outrigger - 0111



INSTALLATION INSTRUCTIONS OSS-100

OUTRIGGER EXTERNAL HALYARD FLAGPOLE SYSTEM

WALL MOUNT BASE

WARNING:

To prevent staining the flagpole must be stored in a dry place OR all packaging must be removed immediately after receiving shipment.

FOR QUICK AND PROFESSIONAL INSTALLATIONS READ ALL INSTRUCTIONS BEFORE PROCEEDING

Lay out all flagpole components. If a part is missing from the attached parts diagram, please contact your American Flagpole Dealer for replacement.

STEP 1 - Remove all wrapping materials and place unwrapped flagpole on cribbing or other wood support on ground (*preferably in a covered dry area*).

STEP 2 - Identify parts and place them along the flagpole according to the parts diagram.

STEP 3 - Locate desired mounting location. Using Outrigger Bracket as template, level and mark mounting hole locations on wall surface.

STEP 4 - Mount Outrigger bracket (*hardware by others*). American Flagpole recommends #94210 Wall Anchorage Kit. Each kit contains one ¾"-10NC x 18" stainless steel through bolt, ¾" stainless steel nuts, spring lock washers, flat lock washers, and 1-1/4" x 14 Schedule 10 aluminum pipe. Outrigger Bracket 0111 requires 3 kits. Outrigger Bracket 0104 requires 4 kits.

STEP 5 - With bracket mounted, install the finial ball (*PART A*) by screwing the ball's spindle into stationary truck (*PART B*). **Do not grip ball to tighten, grip spindle/rod with vise grips and tighten.** Tighten all nuts and set screws. An epoxy or Loc-tite type product (*by others*) is recommended on all connections.

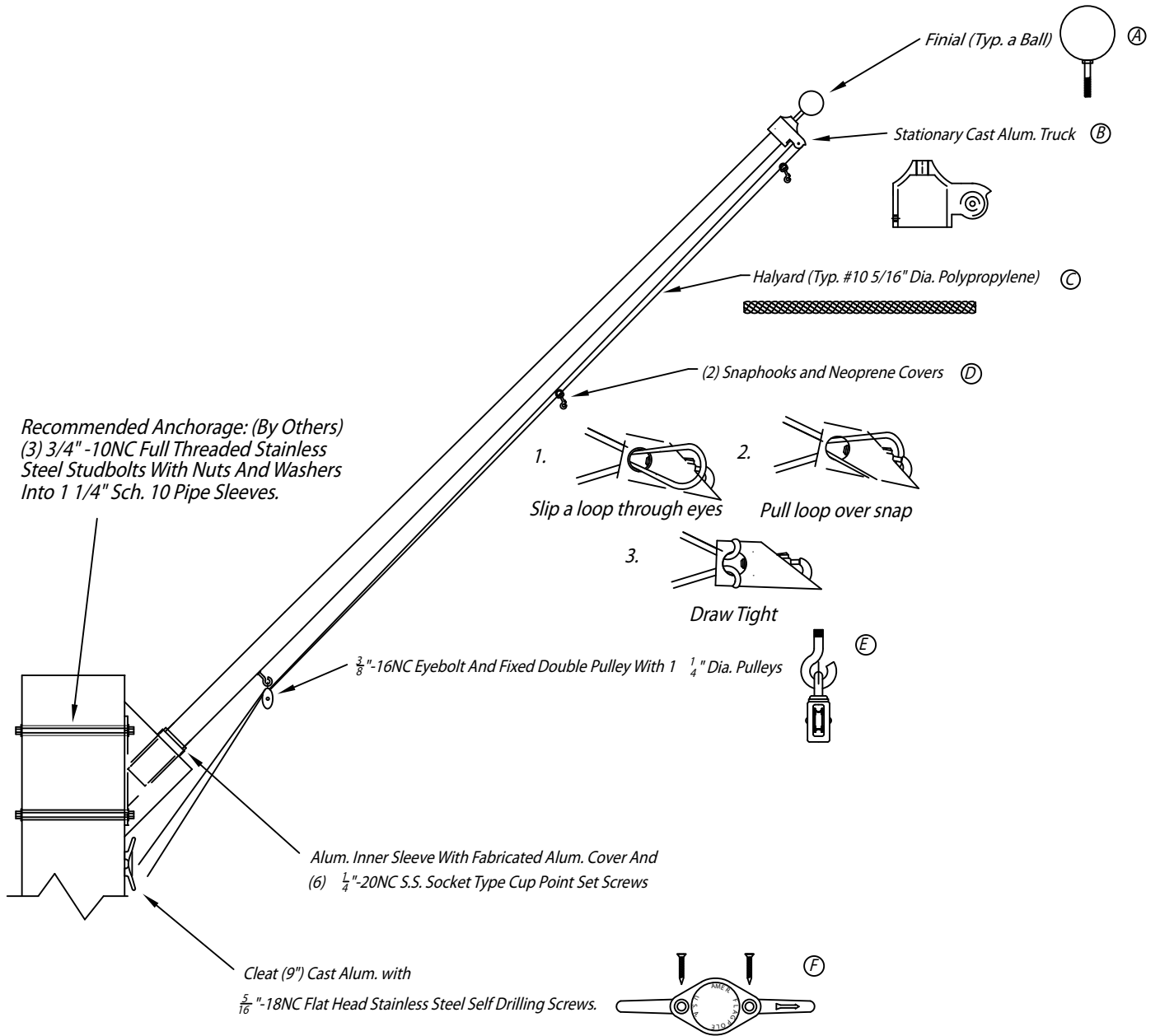
STEP 6 - Install eyebolt and fixed double pulley (*PART E*) in rivnut near the bottom of the flagpole. Place the stationary truck (*PART B*) with ball over end of flagpole and attach by securing all set screws. *NOTE: The pulley of the truck should align with the eyebolt/pulley.*

STEP 7 - Feed one end the polypropylene rope (*PART C*) around the pulley of the truck (*PART B*), down the side of the flagpole, through one side of the double pulley, and looped back through the other side of the double pulley to the cleat area. Tie both ends together forming a complete loop (*the knot will be between the truck and double pulley*). Space the snap hooks and neoprene covers (*PART D*) at equal distance on either side of the knot to accommodate flag size. Refer to parts diagram for snap hook attachment.

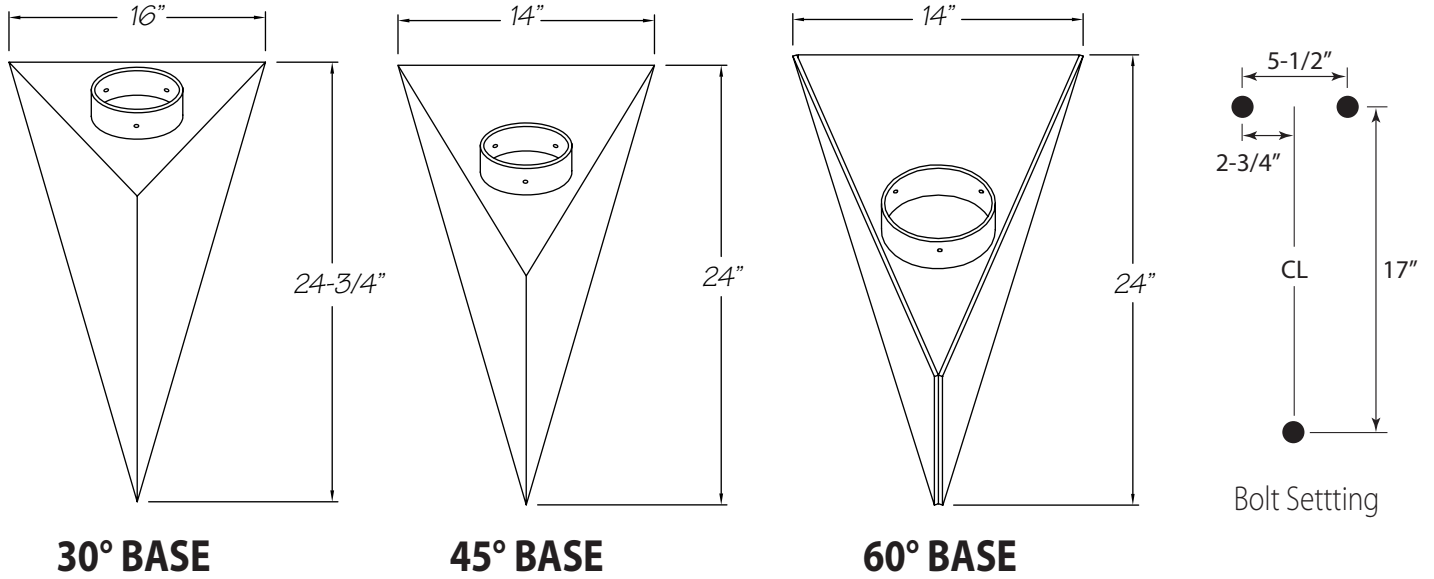
STEP 8 - Slide the Outrigger Cover (*Design 0111 or 0104*) up from the bottom of the flagpole to the pulley location and temporarily secure in place.

STEP 9 - Place flagpole in mounted Outrigger Bracket and secure using socket type cup point stainless steel set screws. Slide Outrigger Cover and fasten using socket type cup point stainless steel set screws.

STEP 10 - Fasten cleat(s) (*PART F*) into desired position using the self-drilling screws provided. *Note: Cleat is normally installed to wall surface. Use cleat as template for installation. A pilot hole or drilling oil may be used to facilitate installation.*



OUTRIGGER 0111 - BASE OPTIONS - 30°, 45°, 60°



OUTRIGGER 0104 - BASE - 45°

